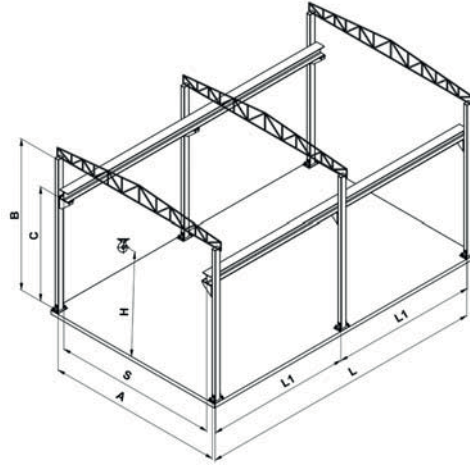
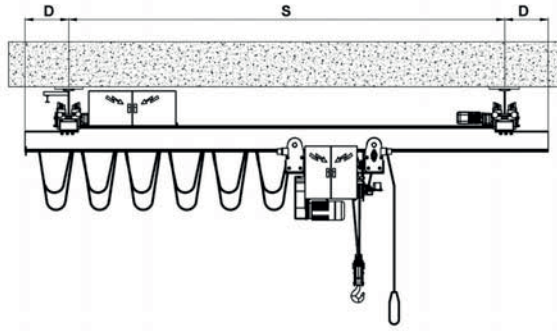
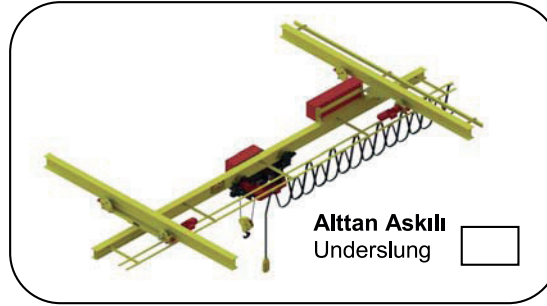
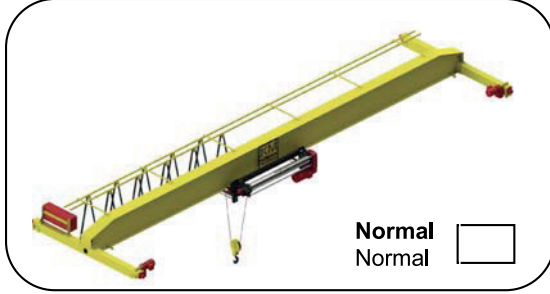




TEK KİRİŞ GEZER KÖPRÜLÜ VİNC TEKLİF TALEP FORMU SINGLE GIRDER EOT CRANE REQUEST FORM



GENEL ÖZELLİKLER / GENERAL FEATURES		ÖLÇÜ TABLOSU / SIZE CHART	
ÇALIŞMA ORTAMI / WORKING AREA KAPALI / OUTDOORS <input type="checkbox"/>	HOLDE BASKA VİNC/ ANOTHER CRANE IN THE SAME HALL VAR / READY <input type="checkbox"/>	Q (KAPASİTE/ CAPACITY)	TON
AÇIK / INDOORS <input type="checkbox"/>	YOK / NOT READY <input type="checkbox"/> QUANTITY : ...	S (AÇIKLIK/ SPAN)	mm
KOLON / COLUMNS VAR / READY <input type="checkbox"/>	VİNC KUMANDASI / CRANE CONTROL KABLOLU KUMANDA/ PUSHBUTTON <input type="checkbox"/>	H (YÜKSEKLİK/ LIFTING HEIGHT)	mm
YOK / NOT READY <input type="checkbox"/>	UZAKTAN KUMANDA/ RADIO KONTROL <input type="checkbox"/>	A	mm
GÜŞE / GUSSET	VİNC YÜRÜME KİRİŞİ/CRANE RUNWAY	B	mm
VAR / READY <input type="checkbox"/>	VAR/ READY <input type="checkbox"/> YOK/ NOT READY <input type="checkbox"/>	C	mm
YOK / NOT READY <input type="checkbox"/>	BETON/ CONCRETE <input type="checkbox"/>	L	mm
	ÇELİK/ STEEL <input type="checkbox"/>	L1	mm
	SÜREKLİ BETON/ CONTINUOUS CONCRETE <input type="checkbox"/>	D	mm
AÇIKLAMALAR / EXPLANATIONS :			